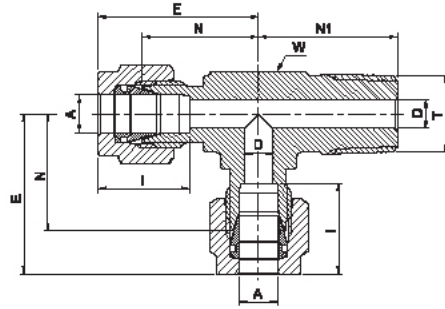


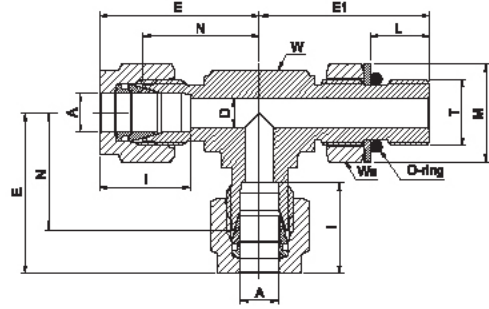
# MALE RUN TEE



A Tube O.D.		T NPT	D		W Wrench flat		N	E	N1	I
mm	in	in	mm	in	mm	in	mm	mm	mm	mm
3		1/8	2.4	1/2	12.7		17.0	23.6	17.8	12.9
3		1/4	2.4	1/2	12.7		18.0	24.6	23.4	12.9
4		1/8	2.4	1/2	12.7		18.8	25.4	18.8	13.7
6		1/8	4.8	1/2	12.7		19.6	27.0	18.8	15.3
6		1/4	4.8	1/2	12.7		19.6	27.0	23.4	15.3
8		1/8	4.8	5/8	15.9		22.4	29.9	20.8	16.2
8		1/4	6.4	5/8	15.9		22.4	29.9	25.4	16.2
10		1/4	7.1	13/16	20.6		25.9	33.5	28.2	17.2
10		3/8	7.9	11/16	17.5		23.9	31.5	28.2	17.2
12		1/4	7.1	13/16	20.6		25.9	36.0	28.2	22.8
12		3/8	9.5	13/16	20.6		25.9	36.0	28.2	22.8
12		1/2	9.5	13/16	20.6		25.9	36.0	33.0	22.8
16		3/8	9.5	15/16	23.8		27.9	38.0	30.2	24.4
16		1/2	11.9	15/16	23.8		27.9	38.0	35.1	24.4
20		3/4	15.9	1-3/8	34.9		34.5	44.6	41.7	26.0

A Tube O.D.		T NPT	D		W Wrench flat		N		E		N1		I	
in	mm	in	in	mm	in	mm	in	mm	in	mm	in	mm	in	mm
1/8	3.17	1/8	0.09	2.28	7/16	11.1	0.67	17.02	0.93	23.62	0.70	17.78	0.50	12.7
1/8	3.17	1/4	0.09	2.28	1/2	12.7	0.71	18.03	0.97	24.64	0.92	23.40	0.50	12.7
3/16	4.76	1/8	0.12	3.05	7/16	11.1	0.70	17.78	0.96	24.38	0.70	17.78	0.54	13.7
1/4	6.35	1/8	0.19	4.82	1/2	12.7	0.77	19.56	1.06	26.92	0.74	18.80	0.60	15.3
1/4	6.35	1/4	0.19	4.82	1/2	12.7	0.77	19.56	1.06	26.92	0.92	23.37	0.60	15.3
5/16	7.93	1/8	0.19	4.82	5/8	15.9	0.88	22.35	1.17	29.71	0.82	20.83	0.64	16.2
3/8	9.52	1/4	0.28	7.11	5/8	15.9	0.91	23.11	1.20	30.48	1.00	25.40	0.66	16.9
3/8	9.52	3/8	0.28	7.11	13/16	20.6	1.02	25.91	1.31	33.27	1.11	28.19	0.66	16.9
1/2	12.70	3/8	0.38	9.50	13/16	20.6	1.02	25.91	1.42	36.07	1.11	28.19	0.90	22.9
1/2	12.70	1/2	0.41	10.41	13/16	20.6	1.02	25.91	1.42	36.07	1.30	33.00	0.90	22.9
5/8	15.87	1/2	0.47	11.94	15/16	23.8	1.10	27.94	1.50	38.10	1.38	35.05	0.96	24.4
3/4	19.05	3/4	0.62	15.75	1-1/16	27.0	1.17	29.72	1.57	39.88	1.45	36.83	0.96	24.5

# MALE RUN TEE



A Tube O.D.		T SEA/MS	D		W Wrench flat		Wa Hex. flat		N		E		E1		L		M		I		O-ring**
in	mm	in	in	mm	in	mm	in	mm	in	mm	in	mm	in	mm	in	mm	in	mm	in	mm	Dash no.
1/4	6.35	7/16-20	0.19	4.8	1/2	12.7	9/16	14.3	0.83	21.1	1.12	28.45	1.12	28.45	0.39	9.9	0.65	16.5	0.60	15.3	-904
3/8	9.52	9/16-18	0.28	7.1	5/8	15.9	11/16	17.5	0.97	24.64	1.26	32	1.27	32.26	0.44	11.2	0.79	20.1	0.66	16.9	-906
1/2	12.7	3/4-16	0.41	10.41	13/16	20.6	7/8	22.2	1.07	27.43	1.48	37.6	1.49	37.84	0.5	12.7	1.01	25.65	0.9	22.9	-908
3/4	19.05	1-1/16-12	0.62	15.74	1-1/16	27	1-1/4	31.75	1.22	31.24	1.63	41.4	1.91	48.76	0.65	16.7	1.45	36.8	1.0	24.5	-912
1	25.4	1-5/16-12	0.88	22.35	1-3/8	34.9	1-1/2	38.1	1.5	38.35	1.98	50.54	2.1	53.6	0.65	16.7	1.72	43.94	1.22	31.2	-916

A Tube O.D.		T ISO	D		W Wrench flat		Wa Hex. flat		N		E		E1		L		M		I		O-ring** I.D.
in	mm	in	in	mm	in	mm	in	mm	in	mm	in	mm	in	mm	in	mm	in	mm	in	mm	Dash no.
1/4	6.35	1/8-28 BSPP	0.16	4.0	1/2	12.7	9/16	14.3	0.77	19.6	1.06	26.9	1.04	26.4	0.32	8.1	0.68	17.3	0.60	15.3	8.0
1/4	6.35	1/4-19 BSPP	0.19	4.8	5/8	15.9	3/4	19.0	0.85	21.6	1.14	28.9	1.27	32.2	0.36	9.1	0.90	22.9	0.60	15.3	-
3/8	9.53	1/4-19 BSPP	0.23	5.9	5/8	15.9	3/4	19.0	0.91	23.1	1.20	30.5	1.27	32.2	0.36	9.1	0.90	22.9	0.66	16.9	-

A Tube O.D.	T ISO	D		W Wrench flat		Wa Hex. flat		N	E	E1	L	M	I	O-ring** I.D.
mm	in	mm	in	mm	mm	in	mm	mm	mm	mm	mm	mm	mm	Dash no.
8	1/4-19 BSPP	5.9	5/8	15.9	3/4	19.0	22.4	29.9	32.2	9.1	22.9	16.9	-	